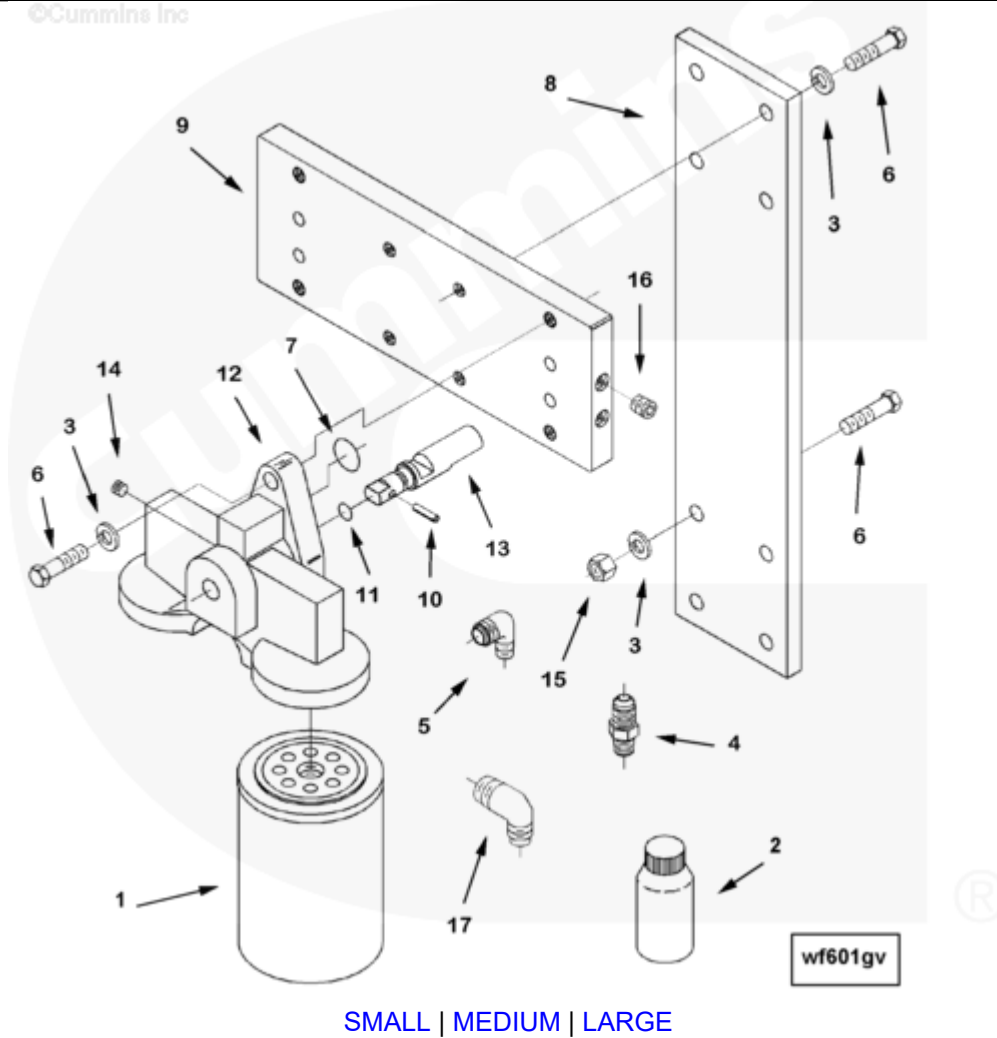




Parts Catalog - Option Detail

Electronic Parts Catalog - Option Detail				
Option	Group	Graphic	Film Card	Date
WF6005-04	08.08	wf601gv	K38	15-MAY-00
Engines	GTA38, K38, KTA38GC CM558, QSK38 CM2150 K106, QSK38 CM2150 MCRS, QSK38 CM850 MCRS			



SMALL | MEDIUM | LARGE

Cart	Ref No	Part Number	Part Description	Required	Remarks
View My Cart					
		WF6005-04	Corrosion Resistor		Dual DC4 corrosion resistors...(More)
					with dual replaceable spin-on
					cartridges, assembled to the
					manifold and mounting plate.

					Supplied in the kit.
					Includes fittings and hoses
					for customer mounting to
					customer supplied subbase.
					Includes resistor cartridges
					5.3inches in length. Sized
					for cooling systems between
					192 quart and 360quart
					capacity for heat exchanger
					cooling systems.
<input type="checkbox"/>	1	3100308	Corrosion Resistor	4	Buy from Cummins Filtration
<input type="checkbox"/>	2	3888312	Corrosion Inhibitor	6	Buy from Cummins Filtration
<input type="checkbox"/>	3	S 604	Lock Washer	12	3/8 in.
<input type="checkbox"/>	4	S 1039 A	Male Connector	1	
<input type="checkbox"/>	5	S 1040 A	Male Adapter Elbow	2	
<input type="checkbox"/>	6	108707	Hexagon Head Cap Screw	12	3/8 - 16 x 1 1/2 in.
<input type="checkbox"/>	7	145528	O-Ring Seal	4	
<input type="checkbox"/>	8	3003470	Corrosion Resistor Bracket	1	
<input type="checkbox"/>	9	3004845	Water Manifold	1	
<input type="checkbox"/>		3175452	Corrosion Resistor Head	2	
<input type="checkbox"/>	10	8306	Roll Pin	2	
<input type="checkbox"/>	11	70415	O-Ring Seal	2	
<input type="checkbox"/>	12	3175453	Corrosion Resistor Head	2	
<input type="checkbox"/>	13	3177040	Shut-Off Valve Shaft	1	
<input type="checkbox"/>	14	3628604	Pipe Plug	3	1/8 - 27 X 0.3 in.
<input type="checkbox"/>	15	3201128	Regular Hexagon Nut	4	3/8 - 16 UNC.
<input type="checkbox"/>	16	3628605	Pipe Plug	2	1/4 - 18.
<input type="checkbox"/>	17	3629496	Male Adapter Elbow	1	